



Scan to go to website

CL-6D Quick Start Guide

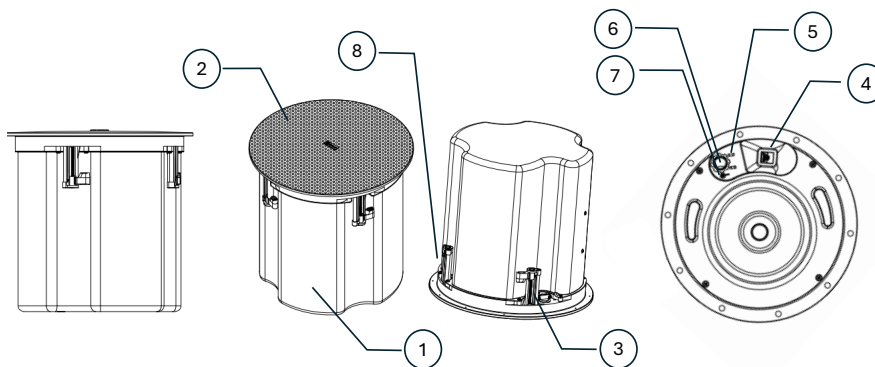
This guide helps you install and use your CL-6D for the first time.

Go to <http://www.kramerav.com/downloads/CL-6D> to download the latest user manual and check if firmware upgrades are available.

Step 1: Check what's in the box

- ✔ 1 CL-6D 6.5" PoE powered Dante Ceiling Speaker
- ✔ 1 UL-compliant cable passthrough (metallic)
- ✔ 1 Cut-out template
- ✔ 2 magnetic girls (1 white & 1 black)
- ✔ 1 Silicon cable passthrough
- ✔ 1 Quick start guide
- ✔ 1 C-ring + 2 bolts (mounting rails not included)
- ✔ Zip tie for securing the speaker cable

Step 2: Get to know your CL-6D



#	Feature	Function
1	Speaker	Speakers body
2	Grill	Speaker's grill
3	Mounting clamps (dog ears)	To be tightened against the back of the ceiling surface to hold the speaker in place
4	RJ45 connector	PoE Ethernet connector
5	Cable tie points	Cable anchor points for strain relief
6	Cable passthrough	Passthrough hole for speaker cable
7	Grill securing hook	Hook for securing the magnetic grill
8	Safety anchor point	Safety anchor points for securing a seismic restraint cable

Step 3: Key Features

- Exceptional sound performance
- Supports PoE++/PoE+/PoE (auto-negotiate)
- Built-in mixer, DSP, and amplifier for two-channel mixing, parametric EQ, High pass and low pass filters, input compressor, output limiter and advanced power settings
- Features a built-in "Find Me" tone, making it easy to identify and locate individual speakers during installation or maintenance.

CL-6D Quick Start

Manufacturer: Kramer Israel
 2 Negev St. Airport City 7019900
 +972 (0)73-265-0200
info_il@kramerav.com

EU Importer: Kramer EMEA Netherlands
 Stroombaan 16, The Garden 1181VX
 Amstelveen
info_EMEA@kramerav.com



P/N: 2900- 301881QS



Rev: 1

- Power handling: 10W continuous / 30W peak
- Sound Pressure Level (SPL):
 - Sensitivity (1W@1m, free field): 90dB SPL
 - Maximum SPL: Continuous: 100dB SPL / Peak: 105dB SPL
- Regulatory compliance:
 - UL 2043, IEC62368(CB) / CE LVD, UL62368-1
 - FCC/IC, BIS, RCM
 - RoHS, REACH, WEEE
- Industrial design: black & white bezel-less magnetic grills included in the box, front-access wiring, removable logo
- Eco-friendly mono-material packaging

Step 4: Achieving the Best Performance

For optimal performance, audio quality, and reliability of the Kramer CL-6D PoE Dante speaker, follow these cabling guidelines:

Ethernet Cable Requirements

Use high-quality CAT6A or higher, S/FTP or U/FTP shielded, 23 AWG (or thicker) conductors for long runs, rated 60°C+, and Low Smoke Halogen Free (for plenum/in-wall).

Recommended Kramer Cables

- **PC6A-LS508** CAT6A S/FTP Patch Cord (0.15–30m)
- **BC-DGKat7a23** CAT7a S/FTP Bulk Cable (23AWG, 100/305m)
- **BC-UNIKAT** CAT6A U/FTP Bulk Cable, Low Smoke & Halogen Free

Installation Best Practices

- Keep cable length <100m
- Avoid tight bundling or coiling
- Route away from power lines, dimmers, ballasts
- Ensure proper termination and grounding for shielded cables

Step 5: Choosing the Best Location

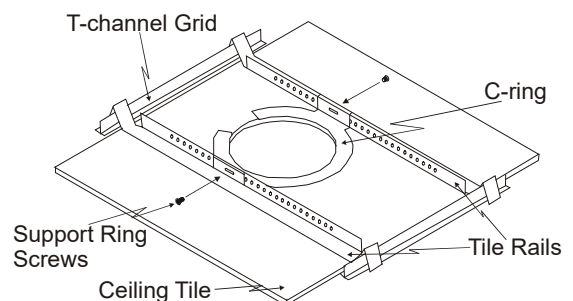
- Plan the location of the speakers based on the designated listening area.
- Ceiling Type Suitability: Ensure the ceiling is appropriate for mounting the speaker's weight.
- Obstruction Check: Verify the mounting location is free of obstructions like electrical piping, AC ducts, or water lines.
- Ceiling Clearance: ensure you have sufficient ceiling clearance for installing the speaker.

Step 6: Unpacking

- Carefully remove the speaker and mounting accessories from the packaging.
- Inspect all components for damage before proceeding.
- Dispose of the packaging materials according to regulations.

Step 7: Mounting the Speaker

- **Cut the Tile** → Mark and cut using the supplied template.
- **Mount Hardware** → Place C-ring & rails on the tile, then set into the ceiling grid and secure.
- **Insert Speaker** → Fit speaker into the cutout, tighten dog-ear clamps (do not overtighten).
- **Connect Cable** → Route CAT cable through grommet, plug into RJ-45, secure with zip tie/support ears.
- **Finish** → Attach grill safety wire, then snap magnetic grill into place.



Step 8: Wiring the Speaker

Your speaker connects to a PoE/PoE+/PoE++ switch using a CAT cable for both network connectivity and power. Connect the CAT cable to the appropriate port on the switch and the RJ-45 connector on the speaker. Once connected, the LEDs on the RJ-45 connector will begin to blink, indicating an active connection.



Ensure the total power draw of all connected speakers stays within the PoE budget of the switch. Log in to the switch's management interface to confirm the available PoE capacity.

Step 9: Speaker setup

Your Dante speaker has a built-in DSP, mixer and amplifier. The speaker works out of the box without requiring any configuration. However, by using the **Kramer Speaker Manager** you can fine tune the configuration of the speaker (EQ, Low Pass Filter, High Pass Filter, Mixer and more).

The Dante speaker supports input from two channels and mixes them internally. By default, the speaker is configured to channel 1.

Please see this link for downloading the application (applicable for Windows only):

<https://kramer-speaker-manager.s3.us-east-1.amazonaws.com/updates/Kramer-Speaker-Manager-Setup.exe>

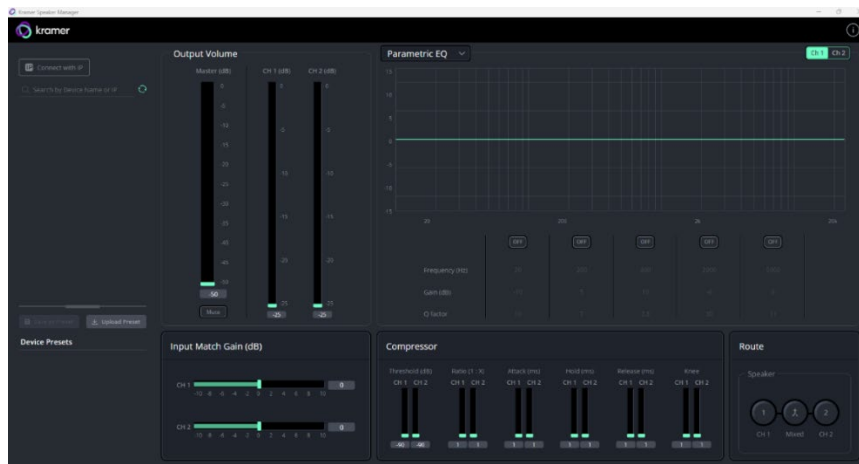


When launched with an active Internet connection, Kramer Speaker Manager automatically checks for updates and prompts you to install the latest version if available

Kramer Speaker Manager enables you to automatically discover Kramer PoE-powered Dante speakers and configure their DSP settings.

Ensure the following network settings are in place:

- **239.254.50.213:52123** – Multicast IP and port for speaker discovery
- **7000** – UDP port for device communication
- **22222** – Client port used by Kramer Speaker Manager
- Multicast traffic enabled in your network/switch configuration



For detailed instructions on the Kramer Speaker Manager, please refer to the AW-6D user's manual.

Step 10: Connecting to Dante Network

To integrate your Dante-enabled speaker into a Dante audio-over-IP system, follow these basic connection steps:

Minimum Requirements

Before connecting, ensure the following:

- **Dante-compatible network switch** (Gigabit Ethernet recommended)
- **CAT5e or higher Ethernet cable**
- **Dante-enabled audio source or transmitter** (e.g., Dante audio interface, DSP, or mixing console)
- **Dante Controller software** installed on a PC/Mac (free download from Audinate: <https://www.audinate.com/products/software/dante-controller>)

For **Dante Network requirements** refer to Audinate WEB site:

<https://www.getdante.com/support/faq/which-network-ports-does-dante-use/>

Network Switch Settings

Make sure your switch settings meet the following criteria:

- **Gigabit (1000 Mbps) speed** – Dante requires high bandwidth for low-latency, uncompressed audio.
- **Support for IGMP Snooping** – Essential for efficient multicast traffic handling, especially in larger systems.
- **Quality of Service (QoS)** – Helps prioritize Dante clock and audio traffic over other network traffic.
- **Non-blocking architecture** – Ensures full bandwidth on all ports simultaneously.
- **Fan-less or low-noise operation (optional)** – Recommended for noise-sensitive environments like meeting rooms or classrooms.



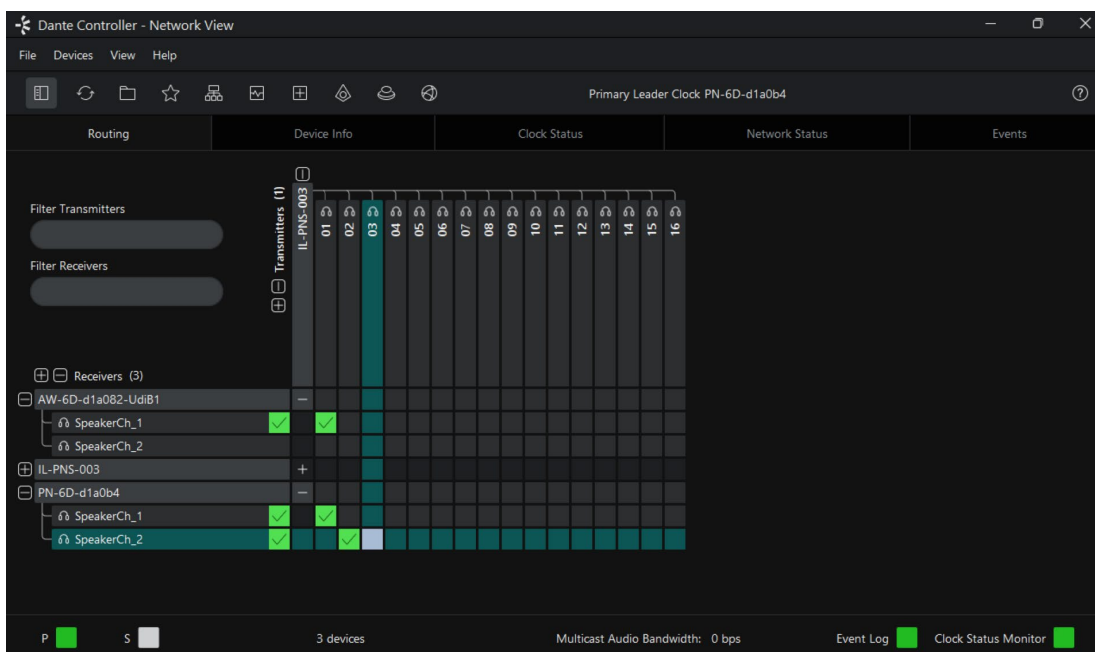
Avoid using unmanaged or low-cost consumer switches, as they may introduce latency or fail to route multicast Dante streams correctly.

Connecting Your Speaker

- Connect the Ethernet cable from the switch to the RJ-45 connector in the speaker.
- Make sure the speaker is powered (LED in the RJ-45 will start blinking).
- Launch Dante Controller on your PC/Mac connected to the same network.
- Locate the speaker under the "Receivers" section. It will appear as CL-6D-XXXXXX (based on its device name).
- Patch one or two Dante channels from a source device to the speaker.



The speaker's default routing is to Channel 1, but you can assign Channel 2 or mix both using the Kramer Speaker Utility.



✓ Once connected and routed, audio will start streaming instantly with near-zero latency.

i *Tip:* Rename the speaker in Dante Controller for easier system identification.

i *Tip:* To find the speaker in the room, click the “**Find Me**” icon in Kramer Speaker Manager. The speaker will play a series of beeps to help you locate it.

